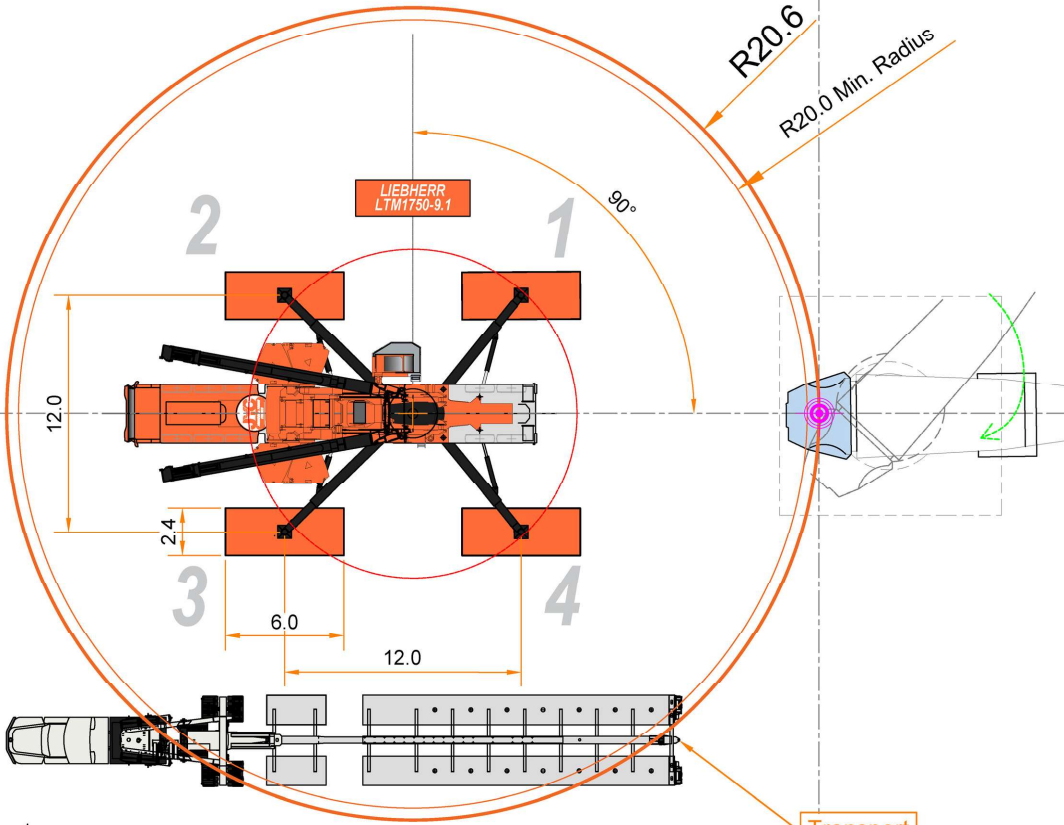


PLAN



Transport

NOTES FOR CRANE OPERATION

- The client must prepare the access and site area to allow for mobilisation and setup of the crane. The crane standing or support structure must be suitably prepared by the client to accept the outrigger reaction loads provided.
- The rigging shown is based on the availability of equipment from JYC at the time of drafting this Lift Plan. JYC may use alternative suitable rigging components when lift is performed.
- The client is to confirm that the structural integrity of all lift points and load are suitable for the rigging method provided.



Johnson & Young Cranes
 ABN: 74 735 954 655
 173 Northbourne Rd. Campbellfield 3061
 www.jyccranes.com.au
 Ph: 0339 3300

CLIENT: WIND FARM X
 PROJECT: PROJECT X
 LIFT PLAN: ROTOR 74T
 ADDRESS:
 DRAWN BY: OP DATE:
 APPROVED BY: DATE:
 DRAWING No.: Rev: 0 Scale: NTS
 Issued For:

Crane Manufacturer & Model: Liebherr 1750-9.1	
Lifting Configuration	TYV23EN
Main Boom Length / Sequence	49.1m / +92+92+92
Jib Length / Offset	24.5m
Outrigger Spacing (L x W)	12m x 12m
Counterweight	134 tonne
Main Hook Capacity / Sheaves	95t / 3
Main hoist line Ø / Parts / Rated Line Pull	25mm / 7 / 14.2t
Total Reeved Line Pull (t) / % Utilisation	95.4 81.1

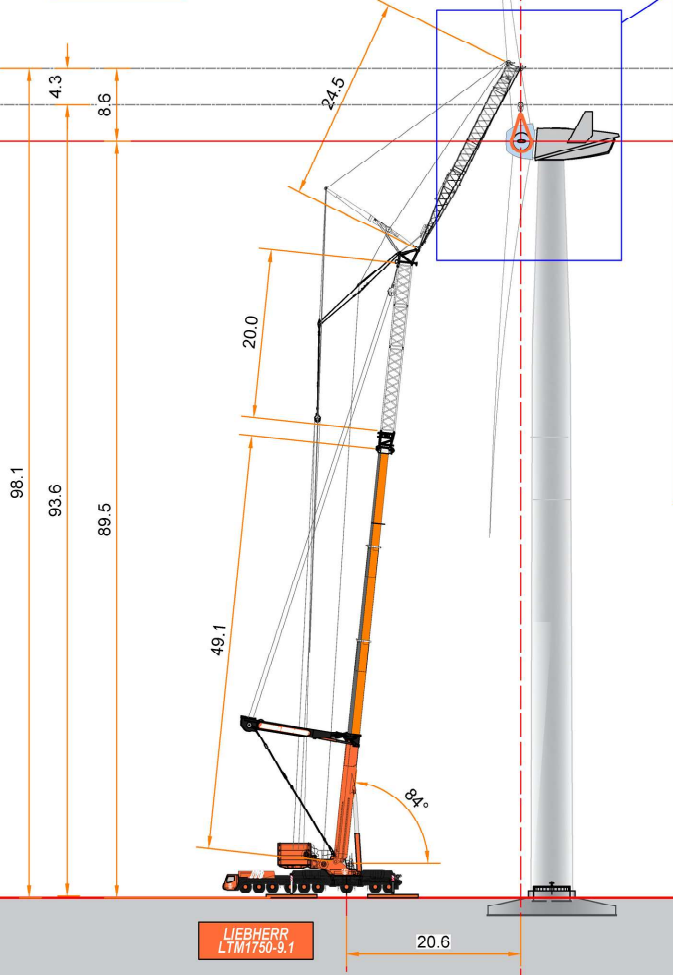
Gross Capacity Deductions:	
Main Hook Block Weight (t)	3.20
Main Hoist Wire weight (t)	0.00
Rigging Weight (t)	0.20
Auxiliary Weight (t)	0.00
Total Weight Deductions (t)	3.40

Crane Capacity:	
Weight of Lift Load (t)	74.00
Gross Load (t)	77.40
Chart Capacity (t)	83.80
Chart Radius (m)	20.00
% Utilisation	92.4

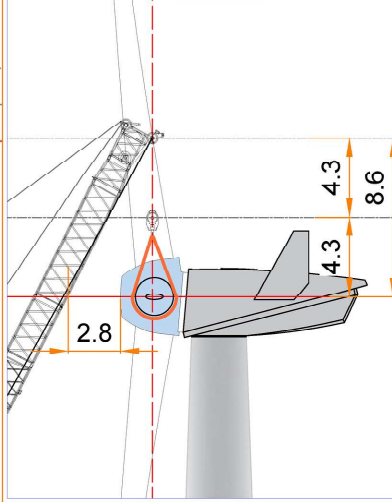
Ground Pressure:	
Maximum Outrigger Load (t)	163.00
Bog Mat Size (Length x width)	6m x 2.4m
Bog Mat Weight (t)	5
Applied Pressure under Bog Mat (kPa)	114.5

This drawing and information associated is property of Johnson & Young Cranes Pty. Ltd. The use or copying of this document without consent and written permission from JYC constitutes as an infringement of the copyright act and may result in legal action.

ELEVATION



DETAIL



Johnson & Young Cranes
 ABN: 74 735 954 655
 173 Northbourne Rd. Campbellfield 3061
 www.jyccranes.com.au
 Ph: 0339 3300

LIFT PLAN: ROTOR 74T
 ADDRESS:
 DRAWN BY: OP DATE:
 APPROVED BY: DATE:
 DRAWING No.: Rev: 0 Scale: NTS
 Issued For:

Rigging Material (Option A) TBC					
No.	Description	WLL (t)	Qty	Unit Wt (kg)	Weight (kg)
1	80t Softslng (6.0m)	80	2	100.0	200.0
Total Weight (kg).....					200.0

Scan or click for 3D animation



NOTES FOR CRANE OPERATION

- The client must prepare the access and site area to allow for mobilisation and setup of the crane. The crane standing or support structure must be suitably prepared by the client to accept the outrigger reaction loads provided.
- The rigging shown is based on the availability of equipment from JYC at the time of drafting this Lift Plan. JYC may use alternative suitable rigging components when lift is performed.
- The client is to confirm that the structural integrity of all lift points and load are suitable for the rigging method provided.

This drawing and information associated is property of Johnson & Young Cranes Pty. Ltd. The use or copying of this document without consent and written permission from JYC constitutes as an infringement of the copyright act and may result in legal action.